

PHÖNIX KE

Type KE
500 Liter to 1,100 lt



- 150 or 200 litres enamelled steel tank insert
- Variable tank volume: 500, 750, 900 or 1,100 lt
- High energy savings by extra thick tank insulation (100 mm) and large scale heat exchanger for optimal yield
- Insulation easy to remove and remount
- Tank fits through almost every door
- It is possible to combine several tanks in any order for bigger systems

Technical Data

Volume

500 to 1,100 litres

Heat exchanger

Tube heat exchanger 1.90 to 3 m²

Domestic water storage tank,
max. operating pressure

6 bar

Buffer, max. operating pressure

3 bar

Max. working temperature

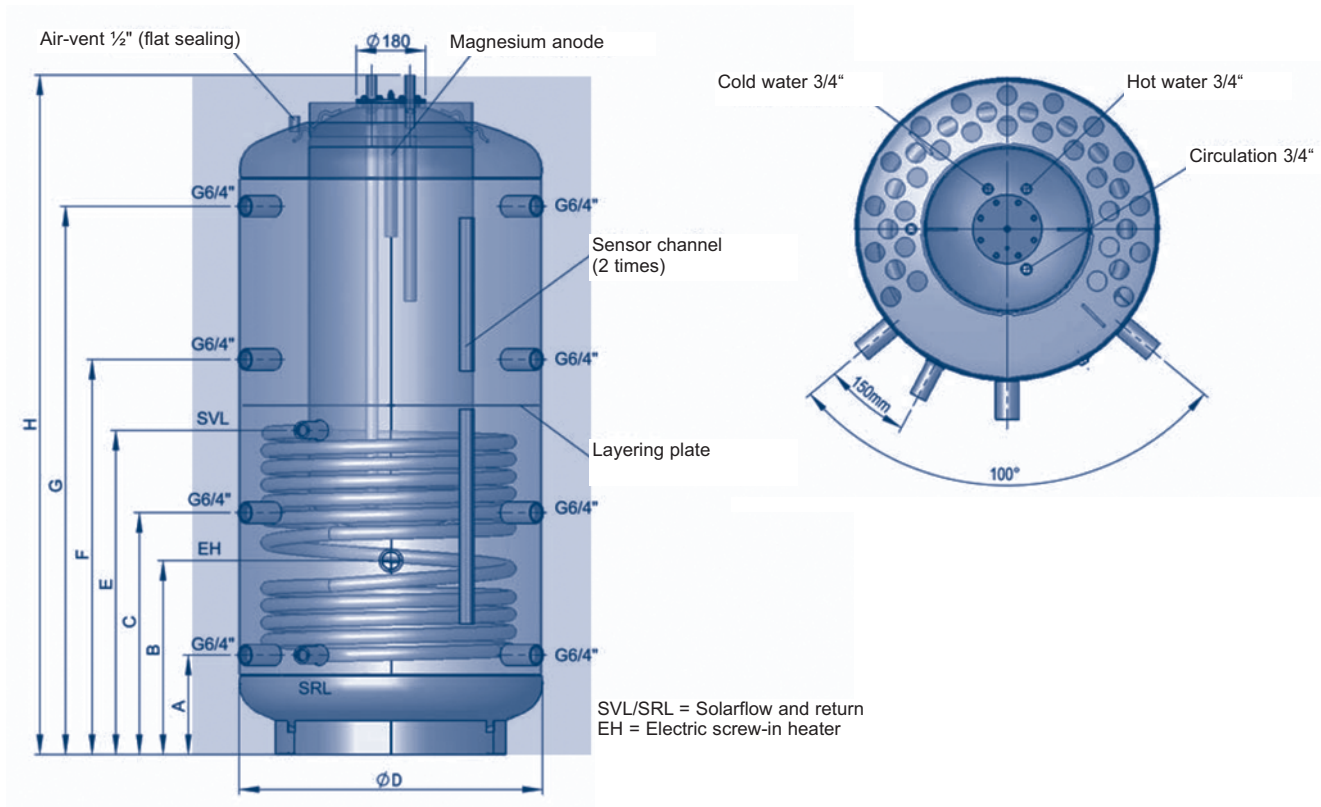
95°C

Warranty

See general terms and conditions of
PHÖNIX SonnenWärme AG

Technical Data

Type	KE 500/150	KE 750/150	KE 900/200	KE 1100/200
Total volume (lt)	500	750	900	1,100
Tap water tank volume (lt)	150	150	200	200
Solar heat exchanger (m ²)	1.90	2.40	3.00	3.00
Insulation	PU-flexible foam, 100 mm			
Height with insulation (m)	1.74	1.80	2.15	2.20
Diameter with insulation (m)	0.85	0.99	0.99	1.05
Diameter without insulation (m)	0.65	0.79	0.79	0.85
Tilt height (m)	1.77	1.84	2.18	2.24
Connection(s) buffer	6/4" IG and 1/2" IG (Air-vent)			
Connection(s) solar	1" IG (female thread)			
Connection(s) domestic water	3/4" AG flat sealing			
Weight (kg)	166	200	234	307
Tap water tank insert	enamelled steel, 150 or 200 litres			



PHÖNIX 

SonnenWärme AG
 Ostendstraße 1
 12459 Berlin - Germany
 Tel: +49 30 53 00 070
 Fax: +49 30 53 00 07 17
 info@sonnenwaermeag.de
 www.sonnenwaermeag.de