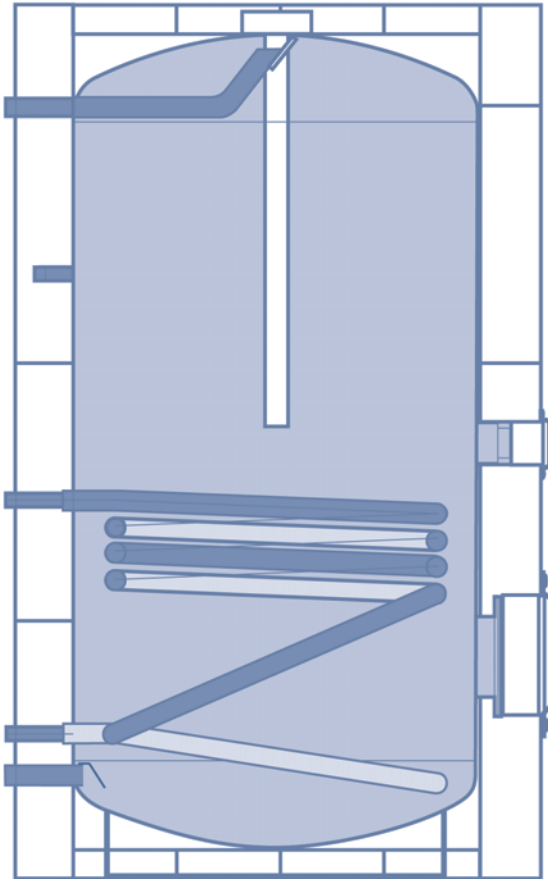


Tap water storage tank BS

For domestic water heating
120 to 1,000 lt



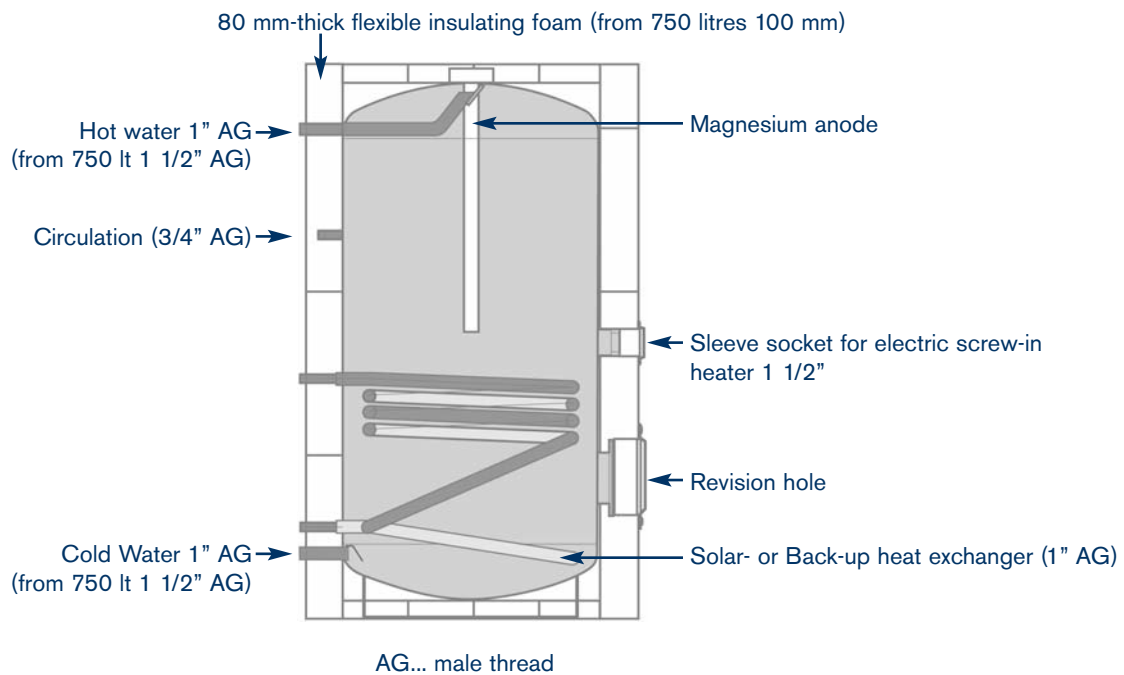
- Tank made out of RSt 37-2 Steel
- Internal wall has enameled coating (DIN 4753 T3)
- magnesium anode enables protection against corrosion
- Insulation easy to remove and remount 80 mm insulation (from 750 lt 100 mm) PU-flexible foam ($\lambda = 0.04$ W/mK), CFC-free
- Vertical rail for variable placement of temperature censor

Technical Data

Volume	120 to 1,000 litres
Heat exchanger	1 x tube heat exchanger
Max. operating pressure	10 bar
Max. operating temperature	95 °C
Warranty	See general terms and conditions of PHÖNIX SonnenWärme AG

Technical Data

Type	BS-120	BS-150	BS-200	BS-300	BS-400	BS-500	BS-750	BS-1,000
Nominal volume	120 litres	150 litres	200 litres	300 litres	400 litres	500 litres	750 litres	1,000 litres
Height with insulation	0.84 m	1.00 m	1.26 m	1.63 m	1.71 m	1.82 m	2.08 m	2.01 m
Height without insulation	0.76 m	0.92 m	1.18 m	1.47 m	1.57 m	1.66 m	1.88 m	1.81 m
Diameter with insulation	0.66 m	0.66 m	0.66 m	0.71 m	0.76 m	0.81 m	0.95 m	1.10 m
Diameter without insulation	0.50 m	0.50 m	0.50 m	0.55 m	0.60 m	0.65 m	0.75 m	0.90 m
Tilt height	0.85 m	1.00 m	1.25 m	1.62 m	1.69 m	1.80 m	2.05 m	2.02 m
NL-Number (60°C)	1.9	2.5	4.8	11	13	18	35	41
Heat exchanger	0.7 m ²	1.0 m ²	1.4 m ²	1.4 m ²	1.7 m ²	2.1 m ²	2.7 m ²	2.9 m ²
Weight with insulation	59 kg	74 kg	89 kg	136 kg	162 kg	189 kg	280 kg	373 kg



Ostendstraße 1
12459 Berlin - Treptow
 Tel: +49 30 53 00 070
 Fax: +49 30 53 00 07 17
 info@sonnenwaermeag.de
 www.sonnenwaermeag.de